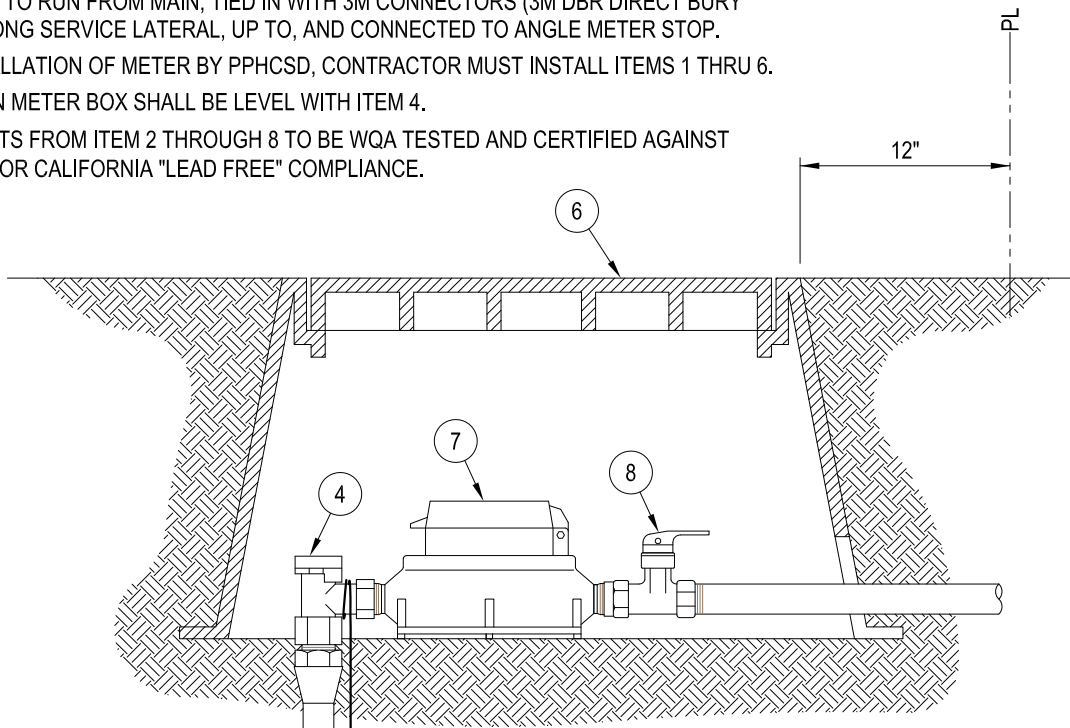


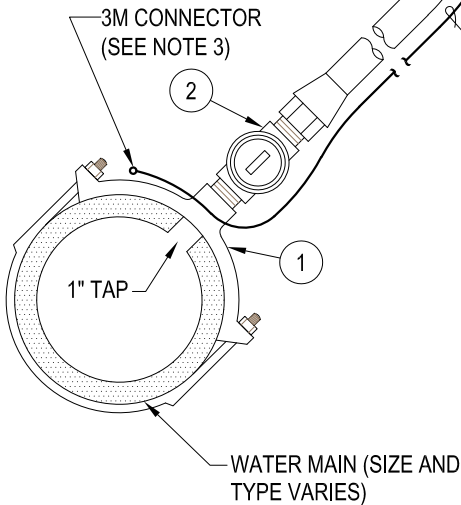
GENERAL NOTES

1. ALL SERVICE LINES SHALL HAVE A MINIMUM DEPTH OF 24-INCHES BELOW FINISHED GRADE.
2. ALL SERVICE MATERIAL SHALL BE NEW.
3. LOCATING WIRE TO RUN FROM MAIN, TIED IN WITH 3M CONNECTORS (3M DBR DIRECT BURY SPLICE KIT), ALONG SERVICE LATERAL, UP TO, AND CONNECTED TO ANGLE METER STOP.
4. PRIOR TO INSTALLATION OF METER BY PPHCSD, CONTRACTOR MUST INSTALL ITEMS 1 THRU 6.
5. ALL MATERIAL IN METER BOX SHALL BE LEVEL WITH ITEM 4.
6. ALL COMPONENTS FROM ITEM 2 THROUGH 8 TO BE WQA TESTED AND CERTIFIED AGAINST WQA ORD0902 FOR CALIFORNIA "LEAD FREE" COMPLIANCE.



MATERIALS

- 1 "MAIN SIZE" x "TAP SIZE" SERVICE SADDLE, MUELLER (FIPT OUTLET THREAD): C900 (BRONZE DOUBLE STRAP, SS DOUBLE STRAPS) AC (BRONZE DOUBLE STRAP) OR APPROVED EQUAL
- 2 1" CORP. STOP (BRASS), MUELLER "INSTA-TITE" H-15026 (NO EQUAL)
- 3 1" MUNICIPEX POLY SDR9, CLASS 200, (NO EQUAL)
- 4 1" ANGLE METER STOP (BRASS), MUELLER "INSTA-TITE" H-14266 (NO EQUAL)
- 5 14-GAUGE INSULATED COPPER LOCATING WIRE
- 6 METER BOX, APPLIED ENGINEERING PRODUCTS SERIES 1320 RECTANGULAR PLASTIC BODY 12" HIGH WITH SOLID COVER OR APPROVED EQUAL
- 7 METER SUPPLIED BY PPHCSD
- 8 1" BALL VALVE, BRASS (METER SWIVEL NUT x FIPT), MUELLER OR APPROVED EQUAL



Revised: April 22, 2020

RECOMMENDED BY:	REV.	DATE	BY
Engineering			
APPROVED BY:			
Operations			

**PHELAN PIÑON HILLS
COMMUNITY SERVICES DISTRICT**

1" METER SERVICE ASSEMBLY



STD. DWG. No.
W-2b