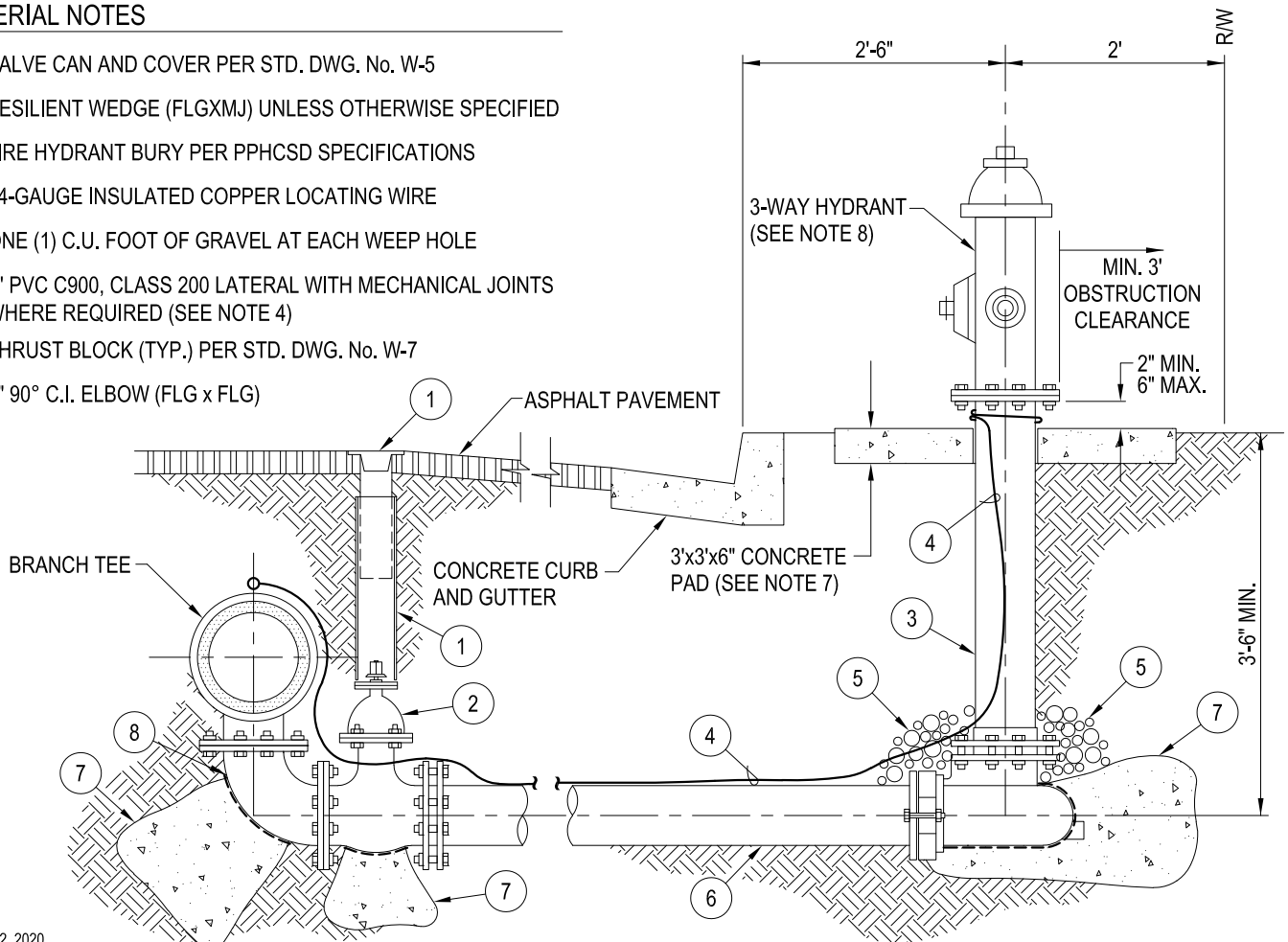


GENERAL NOTES

1. WRAP 8 MIL POLYETHYLENE AROUND PARTS REQUIRING THRUST BLOCK OR PIERS.
2. WEEP HOLE ON HYDRANT BARREL MUST BE CLEAR OF OBSTRUCTIONS.
3. CENTER OF HYDRANT IS TO BE PLACED AT PROPERTY LINE, AND 2' FROM RIGHT-OF-WAY WHERE CURB, GUTTER AND SIDEWALK IS NOT TO BE CONSTRUCTED. WHERE CURB, GUTTER AND SIDEWALK IS EXISTING OR TO BE CONSTRUCTED, CENTER OF HYDRANT IS TO BE LOCATED PER PPHCSD OR COUNTY REQUIREMENTS.
4. 6" PVC C900 CLASS 200 HYDRANT LATERAL LENGTH IS VARIABLE. TO BE SPECIFIED ON PLAN DRAWINGS. LATERAL MUST BE INSTALLED LEVEL, WITH NO DEFLECTIONS AT JOINTS ALLOWED. ALL JOINTS TO BE RESTRAINED.
5. ALL PVC HYDRANT LATERALS SHALL INCLUDE RESILIENT WEDGE VALVES (FLG x MJ) MUELLER A2360-16 OR APPROVED EQUAL AND MECHANICAL JOINT (MJ) FIRE HYDRANT SHOES.
6. LOCATING WIRE TO RUN FROM MAIN, TIED IN WITH 3M CONNECTORS (3M DBR DIRECT BURY SPLICE KIT) ALONG HYDRANT LATERAL, UP TO, AND CONNECT WITH, HYDRANT CAP CHAIN.
7. ELEVATION OF FIRE HYDRANT CONCRETE PAD SHALL BE DETERMINED BY PROPOSED CONSTRUCTION PLANS OR EXISTING GROUND ELEVATIONS IN PREVIOUSLY DEVELOPED AREAS.
8. 3-WAY HYDRANTS TO BE MUELLER SUPER CENTURION No. A-423, OR APPROVED EQUAL.
9. HYDRANT ASSEMBLY TO BE INSTALLED PLUMB, LATERAL TO BE INSTALLED LEVEL AND STRAIGHT.
10. HYDRANT SHALL BE PAINTED YELLOW (FED. No. 13655 OSHA / YELLOW, HIGH VISIBILITY).
11. MECHANICAL JOINT(S) (MJ) TO BE EBBA IRON MEGALUG, ROMAC GRIP RING OR APPROVED EQUAL.
12. DEAD END LINES REQUIRE A FIRE HYDRANT AT THE END OF PIPE FOR CUL-DE-SAC'S. DEAD END LINES FOR MAIN LINE EXTENSIONS REQUIRE TEE AT FIRE HYDRANT LATERAL WITH INLINE VALVE, 5-FOOT STUB WITH END CAP.
13. HYDRANT SHALL NOT HAVE MORE THAN ONE (1) EXTENSION TO RAISE TO PROPER HEIGHT.
14. ALL MATERIALS SHALL BE NEW

MATERIAL NOTES

- 1 VALVE CAN AND COVER PER STD. DWG. No. W-5
- 2 RESILIENT WEDGE (FLGXMJ) UNLESS OTHERWISE SPECIFIED
- 3 FIRE HYDRANT BURY PER PPHCSD SPECIFICATIONS
- 4 14-GAUGE INSULATED COPPER LOCATING WIRE
- 5 ONE (1) C.U. FOOT OF GRAVEL AT EACH WEEP HOLE
- 6 6" PVC C900, CLASS 200 LATERAL WITH MECHANICAL JOINTS WHERE REQUIRED (SEE NOTE 4)
- 7 THRUST BLOCK (TYP.) PER STD. DWG. No. W-7
- 8 6" 90° C.I. ELBOW (FLG x FLG)



Revised: April 22, 2020

RECOMMENDED BY:	REV.	DATE	BY
Engineering			
APPROVED BY:			
Operations			

PHELAN PIÑON HILLS
COMMUNITY SERVICES DISTRICT
5-1/4" FIRE HYDRANT / BLOW-OFF
ASSEMBLY



STD. DWG. No.

W-4