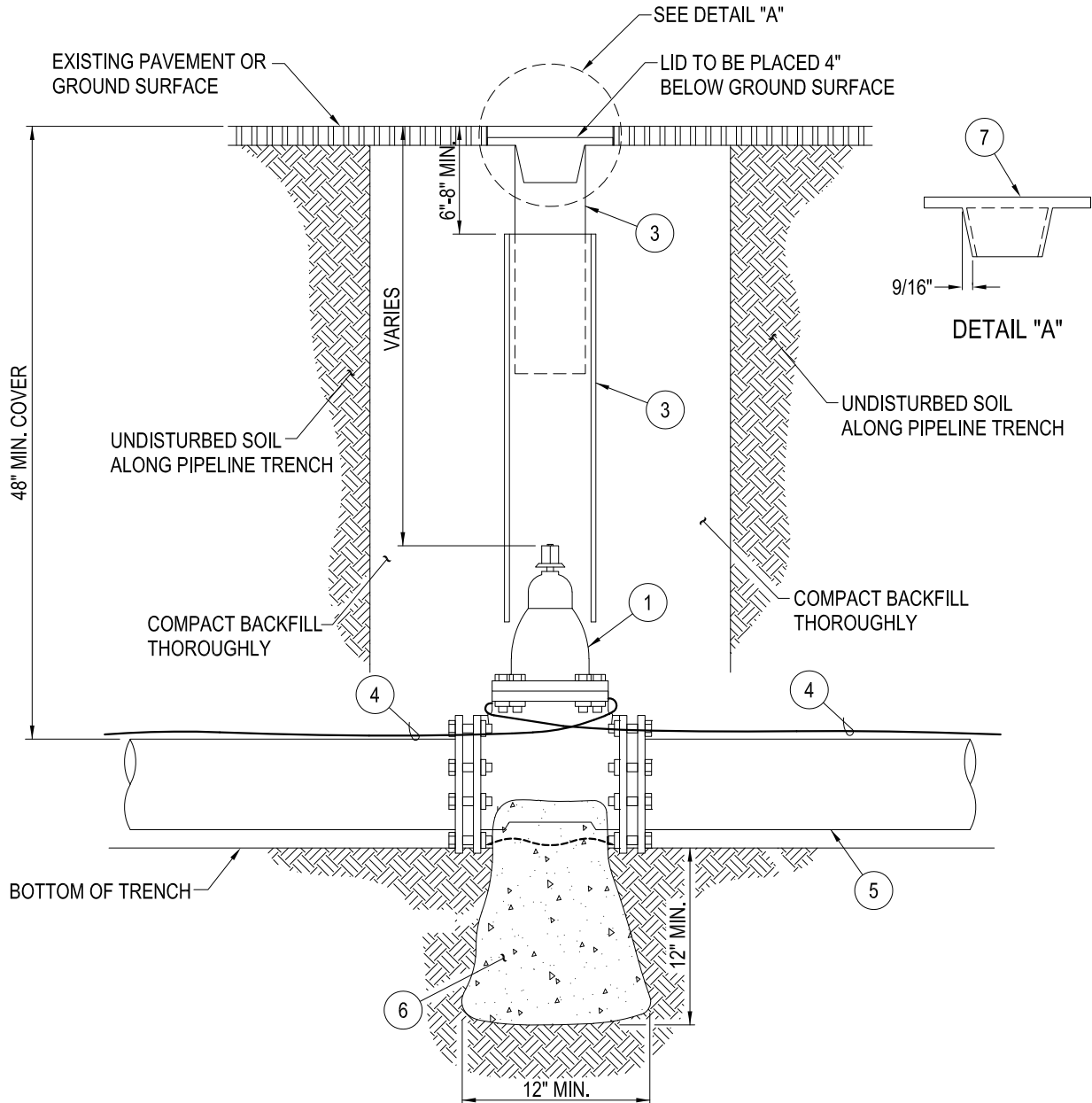


**GENERAL NOTES**

1. THE CONTRACTOR SHALL BE RESPONSIBLE FOR RAISING VALVE CANS AFTER STREET PAVING OR GRADING IS COMPLETED
2. GATE VALVES ARE NOT TO BE INSTALLED UNLESS APPROVED BY THE DISTRICT
3. 14-GAUGE INSULATED COPPER LOCATING WIRE TO BE TAPED TO TOP OF PIPE EVERY 5-PIPE AND RUN ALONG OUTSIDE OF VALVE CAN
4. THRUST BLOCK SHALL ALWAYS BE INSTALLED ON VALVES
5. PROVIDE VALVE STEM EXTENSIONS WHERE DEPTH OF OPERATOR NUT EXCEEDS 60"
6. ALL MATERIALS SHALL BE NEW
7. WRAP 8 MIL POLYETHYLENE AROUND PARTS REQUIRING THRUST BLOCKS OR PIERS

**MATERIAL NOTES**

- 1 AWWA C-905 (LATEST) MJ RESILIENT WEDGE GATE VALVE, MANUFACTURED BY MUELLER OR APPROVED EQUAL
- 2 RESIL6" DIAMETER SDR 35 PIPE (LENGTH VARIES)
- 3 FIRE HY18" GALVANIZED SLIP CAN (ADJUST TO GRADE)
- 4 LOCATING WIRE (SEE NOTE 3)
- 5 PROPOSED WATER PIPELINE (PVC OR D.I.P. CLASS 200)
- 6 CONCRETE THRUST BLOCK PER STD. DWG. No. W-7
- 7 6" O.D. CAST IRON VALVE CAN LID MARKED "WATER"



Revised: April 22, 2020

RECOMMENDED BY:	REV.	DATE	BY
Engineering			
APPROVED BY:			
Operations			

**PHELAN PIÑON HILLS  
 COMMUNITY SERVICES DISTRICT**  
**VALVE CAN ASSEMBLY FOR  
 D.I.P. AND PVC PIPE INSTALLATION**



STD. DWG. No.

**W-5**